

EUROBOOR

FOR PROFESSIONALS BY PROFESSIONALS

USER MANUAL

TO REDUCE THE RISK OF INJURY USER MUST READ AND UNDERSTAND INSTRUCTION MANUAL



ECO.32-T

Magnetic Drilling Machine

SERIAL NO. _____ DATE OF PURCHASE _____

1 - Table of Contents

1	Table of Contents	page 1
2	Safety	page 2
	Before Use	page 3
3	Items Included in Delivery	page 4
4	The Hole Cutter	
	Hole Cutter Selection	page 5
	Cooling/Lubrication	page 6
5	Tool Assembly	
	Hole Cutter Assembly	page 6
	Drill Chuck Assembly	page 7
	Installation of 13mm Chuck by using Adaptor IBK.14	page 7
	Installation of 13mm Chuck directly on the motor unit	page 7
6	The Magnetic Drilling Machine	
	The Magnetic Base	page 7
	The Control Panel	page 8
	Drilling	page 9
	Drilling with 32T.....	page 9
	Tapping with 32T	page 9
7	Maintenance	page 10
8	Spareparts & Exploded View.....	page 11



Read these directions and safety instructions completely and attentively and carefully follow these recommendations. All safety measures must be observed at all times when using magnetic drilling machines. Improper use and carelessness increase the risk of accidents.

This is for your own safety.



Should you have any doubts about the use of this machine, please contact your supplier

2 - Safety

1. During any work on non-horizontal components, the machine must always be secured with the supplied safety chain.
2. The magnetic drilling machine may only be used on a flat and clean foundation.
3. If the machine or the lead show signs of damage, the magnetic drilling machine must be switched off immediately.
4. Wearing safety glasses, hearing protection and protective clothing is necessary.
5. Do not wear any loose clothing or jewellery that may get entangled in the moving parts of the magnetic drilling machine.
6. Use only accessories or parts that are recommended by Euroboor.
7. During drill operations, the hole cutter must be cooled and lubricated with good quality cutting or lubrication oil.
8. The motor must be switched off when tightening the machine with the safety chain.
9. When changing a hole cutter, the magnetic drilling machine must be disconnected from power supply.
10. Clean the area around the machine regularly. Keep the bottom of the magnet and keep it clean and dry.
11. Regularly inspect whether all screws, nuts and bolts are tight.
12. Remove the burr or slug from the hole cutter after each hole. Caution, the part may be hot!
13. Before using the machine make sure it is connected to the correct voltage and that all grips and parts are tightly attached.
14. When using the drill on non-horizontal surfaces, you must use a drilling compound or cutting paste.
15. Do not use oil because the oil can drip into the motor unit.

When using this machine, you MUST wear ear and eye protection. Euroboor has included these articles as standard accessories for your own safety. Do NOT touch the drill when it is running. Always follow the recommendations for personal protection when using this tool.



Before use

Euroboor magnet drilling machines are specially designed for drilling holes in steel, possibly expanded by the possibility of tapping/reaming/countersinking (depending on model). Euroboor magnetic drilling machines may not be adapted and/or used for applications other than those they were designed for, including driving other machines.

Make sure that you can oversee the entire work areas from where you are operating this machine. Use barriers to keep others away. Do not use the machine in places subject to hazard of explosion- electrical tools produce sparks which may ignite flammable materials or gasses. To prevent electrical shocks, do not use the machine in moist or wet conditions or environments. Always operate this tool using both hands. Make sure the work piece is always clamped down safely.

This magnetic drilling machine is equipped with a lead and plug approved for the country or region it is to be used in. The yellow-green wire in the lead is the earth wire. Never connect this to a pole under voltage. All Euroboor magnetic drilling machines are manufactured to use with AC current and not suitable to work on DC current. Make sure the magnetic drilling machine is connected to a stable power supply. Euroboor does not recommend the use of a generator or other mobile power supply for power supply. Euroboor does not recommend the use of extension cables. If there is no other way, use good quality cables and keep extension cables as short as possible. Be aware that long power leads can cause less current.

3 - Items Included in Delivery

Magnetic Drilling Machine	YES	Pilot Pin	YES
Carrying Case	YES	Morse Taper	NO
Drill Chuck 13mm	NO	Morse Taper Ejector Pin	NO
Tap Collets M10-M12-M14-M16	YES	Manual	YES
Allen Key 2.5	YES	Safety Chain	YES
Allen Key 3	YES	Drilling Oil	YES
Allen Key 4	YES	Safety Ear Protection	YES
Allen Key 5	YES	Safety Glasses	YES
Wrench 8	YES	Safety Gloves	YES

4 - The Hole Cutter

Hole Cutter selection

There are many different types of steel. It is not possible to drill all these types of steel with 1 type of cutter. Euroboor recommended the following :

Euroboor+ HSS Series		For drilling holes in general 37/52 steel and aluminium	
HCS	12 mm - 130 mm	Hole cutters with cutting depth 30 mm	increasing by 1 mm
HCL	12 mm - 130 mm	Hole cutters with cutting depth 55 mm	increasing by 1 mm
HCY	20 mm - 50 mm	Hole cutters with cutting depth 75 mm	increasing by 1 mm
HCX	20 mm - 50 mm	Hole cutters with cutting depth 100 mm	increasing by 1 mm

Also available in inch sizes:

HCS	7/16" - 5"	Hole cutters with cutting depth 30 mm	increasing by 1/16"
HCL	7/16" - 5"	Hole cutters with cutting depth 55 mm	increasing by 1/16"
HCY	3/4" - 2 1/16"	Hole cutters with cutting depth 75 mm	increasing by 1/16"
HCX	3/4" - 2 1/16"	Hole cutters with cutting depth 100 mm	increasing by 1/16"

Euroboor Cobalt Series For processing steel, stainless steel and other high-quality steel alloy types

IBS	12 mm - 130 mm	Hole cutters with cutting depth 30 mm	increasing by 1 mm
IBL	13 mm - 130 mm	Hole cutters with cutting depth 55 mm	increasing by 1 mm

Euroboor TCT Series Tungsten Carbide Tipped. Cutters with hard metal teeth

HMS	14 mm - 50 mm	Hole cutters with cutting depth 35 mm	increasing by 1 mm
HML	14 mm - 130 mm	Hole cutters with cutting depth 50 mm	increasing by 1 mm

Euroboor TRC Series With hard metal teeth, For drilling holes in rails

TRCS.190	19 mm	Hole cutter with cutting depth 35 mm
TRCS.300	30 mm	Hole cutter with cutting depth 35 mm
TRCS.330	33 mm	Hole cutter with cutting depth 35 mm

NOTE : Hole cutters 12mm - 60mm have a 19,05 mm Weldon shank
Hole cutters 61mm - 130mm have a 31,75 mm Weldon shank

Cooling/Lubrication



- 1 Holes for cooling and lubrication oil
- 2 Fixing screws of spindle

Euroboor recommends the use of cooling and lubrication agents. Not only do these assist in drilling but they will also lengthen the lifespan of your tools. One of the advantages of the use of hole cutters is that cooling and lubrication agent can be supplied from the inside, so that the agents end up in the right place.

All magnetic drilling machines from Euroboor can be equipped with a automatic cooling system which provides a guaranteed supply of the cooling and lubrication agents from the inside. If your machine is not be equipped with an automatic coolant system it will still be possible to cool from the inside.

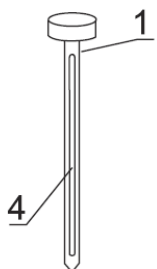
Use the holes in the spindle (number 1 in picture) for this purpose by squirting the cooling and lubrication agent into the drill spindle through them

NOTE :

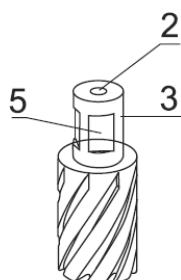
For vertical or upside-down processing, Euroboor recommends the use of a drilling compound or paste like IBP50/2.

5 - Tool Assembly

Hole Cutter Assembly



- 1 : Pilot Pin
- 2 : Center hole in shank of Hole Cutter
- 3 : Shank of Hole Cutter
- 4 : Groove or flattened surface for oil pass
- 5 : Flat surface for fixing Hole Cutter



Clean the inner wall and the shaft of the Hole Cutter to ensure proper oil supply. First insert the Pilot Pin into the center hole of the Shank. After that you can slide the Hole Cutter assembly into the spindle of your Magnetic Drilling Machine. After sliding the Hole Cutter Assembly into type spindle, make sure the two flat surfaces (number 5 in picture) are located exactly in front of the two fixing screws of your spindle (see number 2 in picture of chapter 4-4-2). Tighten them both subsequently with the included 4mm Allen Key.

Drill Chuck Assembly

The option of making our machines suitable for the use of standard spiral drills and other tools by using a cylindrical shaft is an important characteristic of Euroboor magnetic drilling machines. Please see the technical data for maximum capacity.

Installation of 13mm Chuck by using adapter IBK.14

The IBK.14 is a adaptor from 1/2"x20 UNF to 3/4" Weldon.

Attach a Drill Chuck (like Euroboor IBK.13) with internal 1/2"x20 UNF on the IBK.14 adaptor.

To attach the assembly into your Spindle, follow the instructions (with exception of the Pilot Pin) for installation of a Hole Cutter. Adaptor IBK.14 can be used on most machines in our program.

Installation of 13mm Chuck directly on the motor unit

For the ECO.32, ECO.32T, ECO.40 and IBM.30/2 magnetic drilling machines it is possible to install a drill Chuck directly to the shaft extending from the motor unit. For ECO.32T First remove the two Allen screws on top of the spindle with the included Allen key no. 3. Remove the Spindle by using wrench 18 and 20. Fix the extending motor shaft with wrench 18 and turn the spindle with wrench 20 anti-clockwise.

Take the spindle of the shaft and out of the triangular guide (Steady). Remove all the Allen screws below the triangular guide by using the included Allen Key no. 5. Now can install the Drill Chuck with internal 1/2"x20 UNF tread on the extending shaft of the motor unit.

IMPORTANT : When reinstalling the spindle and the triangular guide (steady), you must ensure that the triangular guide (steady) does not cause any friction or resistance to the spindle as it turns.

6 - The Magnetic Drilling Machine

The Magnetic base

Material of minimum 10mm thickness is required for the magnet to work the best.

The attachment force generated by the magnet depends on various factors.

- Thickness of the material the magnet is placed on
- Paint or coating of the material the magnet is placed on.
- Metal chips, oil or other dirt under the magnet.

If the LED indicator (see chapter 4-3-2) lights up GREEN, the magnet is generating sufficient attachment force. If the LED indicator lights up RED, the magnet may not generating sufficient attachment force.

We would like to point out that this is only an indication and not a certainty that the magnet will not release from the material. Euroboor accepts no liability ensuring from the magnet indicator not functioning or functioning poorly.

Make sure that the magnet attaches tightly to the work piece before turning on the motor unit of the magnetic drilling machine. Euroboor magnets have 2 coils; make sure that both coils are in contact with the material. Do not connect any other machines to the electrical outlet the magnetic drilling machine is plugged into, as it may result in the loss of magnetic force. Always use the safety chain included. Drilling above your head is extremely dangerous and is not recommended. For the use of magnetic drilling machines on pipes, not-flat or non-magnetic materials, we refer to our brochure or our website www.euroboor.com where several vacuum tightening systems and pipe clamping systems are mentioned.

The Control Panel

The control panel on your magnetic drilling machine is designed for maximum operating facility and safety.

1 - The Magnet Switch:

This switch is used to switch the main power and also the magnet On and Off. This switch is included on every Euroboor magnetic drilling machine

2 - The On/Off Switch:

This switch is used to switch the motor unit On and Off and is included on every Euroboor Magnetic Drilling Machine

3 - The Fuse holder with Fuse:

This Fuse holder is included on every Euroboor Magnetic Drilling Machine and holds the fuse type : 5x20, F2A.

4 - The LED Indicator:

This LED indicator shows if the motorunit is powered.

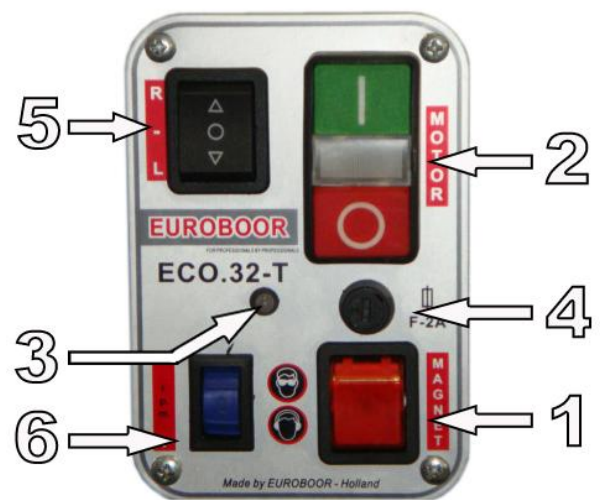
5 - The L/R Switch:

This switch controls the direction of the motorunit.

6 - The Potentiometer:

This controls the running speed of the motorunit.

Note that a lower position will decrease the power of the motorunit.



Drilling

Now that you have read the explanatory information and safety recommendations above, you are ready to actually start drilling. Follow these 10 steps for best drilling result :

- 1 Use the tip of the pilot pin to determine the center of the hole to be drilled.
 - 2 Turn the magnet on and verify that the drill is in the right position and that the machine is pushed tight against the work piece.
 - 3 If your machine is equipped with a auto coolant system, put open the valve to release the oil. If your machine does not have a auto coolant system, fill the holes of the spindle with oil.
 - 4 Turn the motor on at the highest setting and allow it to run at full speed.
 - 5 Turn the arms to start drilling. Apply only a slight pressure when the hole cutter touch the metal. Do not push the hole cutter with force into the metal.
 - 6 Apply a regular pressure while drilling. The drilling performance does not improve by putting more pressure on the tool. Too much pressure will overload the motor and your hole cutter will be worn sooner. ***Let the cutter do the job and give it time to cut the metal !!!***
 - 7 Adjust the oil supply when necessary, if your drill does not have a auto coolant system, stop drilling regularly, refill the holes of the spindle and continue drilling.
 - 8 Apply less pressure when the drill cuts through the material.
 - 9 Turn the arms to put the motor in highest position and turn off the motor unit.
 - 10 Remove the burr, metal chips and clean the cutter and surface without getting injuries.
- Caution : The metal piece drilled out can be sharp and very hot!!

Drilling with 32T

For most common sizes the electronic speed adjustment can be set at 100%. For sizes around 30mm the electronic speed adjustment can be set a bit lower. Note that a lower gain does not only lower the rpm of the motorunit but also its maximum power. If the machine do not have the power to drill then increase the gain of the electronic speed adjustment

Tapping with 32T

First, drill the hole on the recommended size of the tap. Do not turn the magnet off to keep the machine on its position.

Take the cutter out and use a tap collet (Euroboor TCM series) to fix the tap to the machine. These TCM adapters exist in several DIN and ISO norms and are based on the shaft diameter of the tap that is used. Use a low rpm to start tapping. When the machine comes to a stop, increase the electronic speed adjustment till the motorunit slowly runs again. Stop the machine manually before the tap is completely through the hole. Select the Reverse (Left) and let the tap run back slowly but also support the run back by turning back the handles. Do not let your tap push back the motorunit by itself! If your tap have to make the whole way through the material, then remove the tap out of the collet when the hole is completely tapped.

!!! IMPORTANT !!!

**When using your magnetic drilling machine non-horizontal or upside-down be aware that no oil, drilling compound or metal chips can fall into the motor unit.
Euroboor accepts no responsibility for damage done to your machine
by such action under coverage of the warranty.**

7 - Maintenance

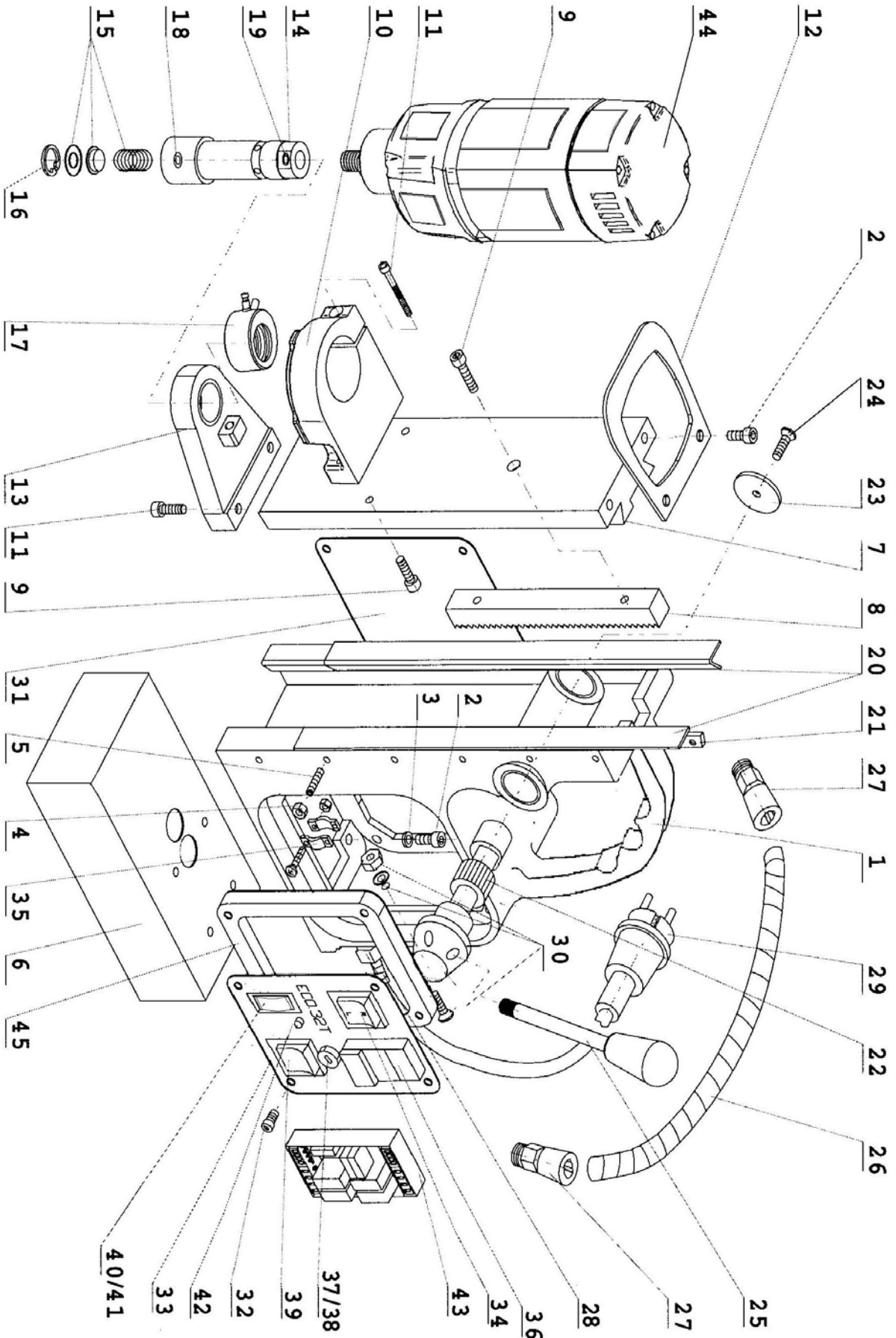
Just as every magnetic drilling machine with moving parts, your Euroboor magnetic drilling machine also needs regular maintenance service. A few recommendations follow :

- Clean all dirt, dust, metal chips and burrs of your magnetic drilling machine
- Regularly check the carbon brushes for wear
- Replace any defective parts immediately. This prevents properly function parts from being damaged.
- Adjust your guide regularly and make sure it is clean and greased. This prevents any movement from being created and the spindle, triangular guide (steady) and guide parts from excessive wear or damage. The guide can be adjusted by loosening the setting nut (#7 on spare part drawing) with included wrench 8, tightening the setting screws (#5 on spare part drawing) with included Allen key 2.5 and tightening the setting nut (#7) again with included wrench 8. The adjustment is done well when the motor unit can be turned to every possible position without falling down by its own weight.
- Check the grease in the gearbox regularly and replace it if necessary. We recommend you to store your machine on its side regularly so that the gear box grease can run back to where the gears are. This is very important when you have used your machine non-horizontal or upside down. Repair, modification and inspection of Euroboor Magnetic drilling machines must be done by a Euroboor authorized dealer. The parts list will be helpful if presented with the machine to the Euroboor dealer for service when requesting repair or other maintenance. Euroboor machines are constantly being improved and modified to incorporate the latest technological advancements. Accordingly, some parts (ie part numbers and/or design) may be changed without prior notice. Also, due to Euroboor's continuing program of research and development, the specifications of machines are subject to change without prior notice.

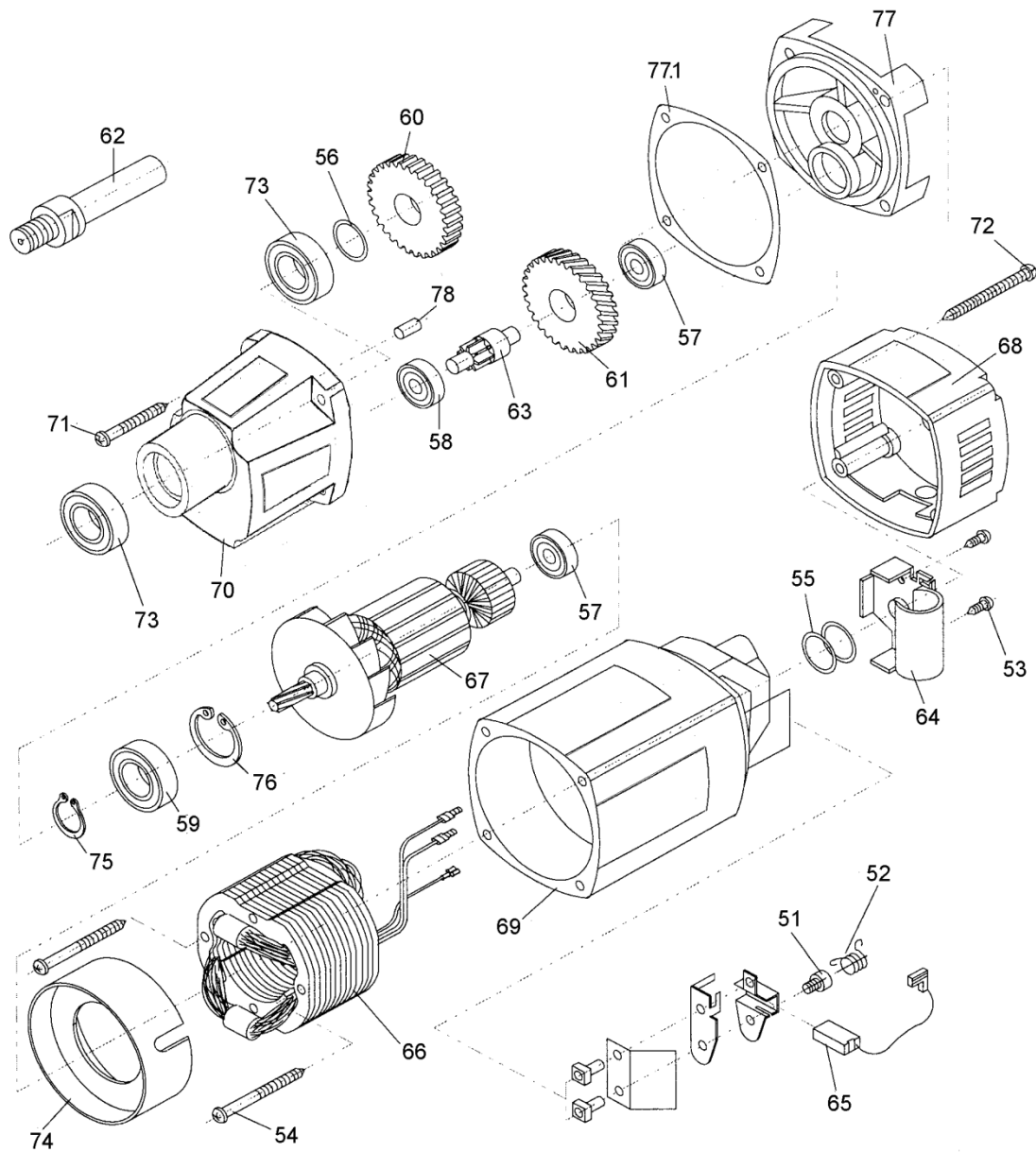
8 - Spareparts & Exploded View

1	020.0056	Frame			
2	020.0106	Screw SSM6x16	60	032.0186	Spindle Gear
3	020.0111	Washer M6	61	032.0226	First Gear
4	020.0096	Setting Nut	62	032.0201	Spindle Drive shaft
5	020.0091	Setting Screw	63	032.0231	Axle
6	020.0051	Magnet for 32T H=48mm	64	032.0131	Adaptor ring Cap
7	032.0011	Slide	65	032.0146	Carbon brush set
8	032.0016	Rack	66	032T.0116	Field 220v
9	020.0156	Screw SSM6x20		032T.0117	Field 110v
10	032.0026	Motorholder	67	032T.0146	Armature 220v
11	020.0146	Screw SSM6x25		032T.0147	Armature 110v
12	032.0041	Top fixing plate 120mm	68	032.0111	End Cover
13	020.0142	Steady	69	032.0241	Housing
14	032T.0032	Spindle	70	032.0206	Gear Casing
15	020.0121	Springset spindle	71	032.0216	Screw BK4,8x38
16	020.0131	Circlip	72	032.0106	Screw BK4,8x50
17	020.0145	Autocoolant Ring	73	032.0196	Bearing 17x35x10
18	020.0136	Fixing Screw M8x8	74	032.0161	Baffle
19	020.0176	Fixing Screw M6x6	75	032.0176	Circlip 471/10
20	020.0086	Brass rail set (stick)	76	032.0166	Circlip 472/28
21	020.0084/4	Pressing strip 4 holes	77	032.0236	Inner Gear Plate
22	020.0061	Capstan Hub assembly	77.1	032.0237	Gasket
23	020.0077	End Plate	78	032.0211	Casing Pin
24	020.0081	End Screw			
25	020.0066	Arm for Capstan			
26	032T.0046	Motorcable 32T			
27	020.0041	Coupling nut motorcable			
28	020.0031	Coupling nut maincable			
29	020.0036	Main Cable			
30	020.0182	Screw+washer+nut			
31	PP.RSEU	Rear plate			
32	032T.0003	Panel screw long			
33	PP.32TEU/2	Front plate			
34	100.0152	L/R Switch (push)			
35	020.0037	Cableclamp			
36	020.0006	On/Off switch			
37	020.0016	Fuse Holder			
38	020.0017	Fuse F2A			
39	020.0011	Magnet Switch			
40+41	032T.0058	Potentiometer complete			
42	032T.0061	LED indicator			
43	032T.0201	Control Unit 220v			
	032T.0202	Control Unit 110v			
44	032T.0101	Motorunit 220v			
	032T.0102	Motorunit 110v			
45	032T.0009	Spacer			
51	032.0136	Screw for spring			
52	032.0141	Spring			
53	032.0116	Screw BK4,2x13			
54	032.0156	Screw BK3,9x60			
55	032.0121	Adaptor ring 22x0,5			
56	032.0191	Adaptor ring			
57	032.0126	Bearing (closed) 8x22x7			
58	032.0221	Bearing 8x22x7			
59	032.0171	Bearing 12x28x8			

ECO 32-T



ECO.32-T



Important notice :

Because of minor changes to our machines it is recommended to provide the framenumber of your machine when ordering spareparts. This number can be found on front of machine at magnetic base and frame. When you have any doubt when ordering spareparts, please contact your supplier before ordering.

